

# HKK

## KONTROL KAPAĞI

### Control Cover

#### TANIM

- **HKK-A:** Standart Kontrol Kapağı
- **HKK-B:** İzolasyonlu Kontrol Kapağı
- **HKPK:** Kare Petek Menfez Kontrol Kapağı
- **HLMK:** Lineer Menfez Kontrol Kapağı, Kanatlar 17° veya 30° Bükümlü.

#### MALZEME

HKK-A tipinde ürün dış çerçevesi alüminyum profilden, çerçeve içinde kullanılan kapak ise galvanizli sacdan imal edilmektedir.

HKK-B tipinde ürün dış çerçevesi alüminyum profilden, çerçeve içinde kullanılan kapak ise galvanizli sacdan imal edilmektedir. Kapağın iç kısmında taş yünü izolasyon bulunmaktadır.

#### UYGULAMA

Havalandırma sistemlerinde, klima santrallerinde, kontrol ve müdahale gerektiren yerlerde kullanılır. HKK-A, HKPK, HLMK serisi kontrol kapaklarında kapağın kolayca açılıp tekrar kapanmasını sağlayan çitçit mekanizması kullanılır.

HKK-B tipi kontrol kapakları çerçeve üzerindeki özel kilit mekanizmasıyla açılıp kapanırlar. Kontrol Kapaklarının kasası alüminyumdan mamül olup, 1. Sınıf alüminyum profil kullanılmaktadır.

#### YÜZEY KAPLAMA

- Elektrostatik toz boya (Standart renkler RAL9010 ve RAL9016)
- İsteğe bağlı olarak RAL kodundaki diğer tüm renklerde temin edilmektedir.

#### MONTAJ

- Vidalı montaj

#### DESCRIPTION

- **HKK-A:** Standard Control Cover
- **HKK-B:** Control Cover with Isolation
- **HKPK:** Egg Crate Control Cover
- **HLMK:** Linear Grille Control Cover with 17° or 30° Bended Blades.

#### MATERIAL

HKK-A model products frame is made from aluminium profile and the cover in the frame is made from galvanized sheet metal.

HKK-B model products frame is made from aluminium profile and the cover in the frame is made from galvanized sheet metal. The inside of the cover has rockwool insulation

#### APPLICATION

Used in air-conditioning systems, air-conditioning exchanges, and all locations where control and intervention is required. HKK-A, HKPK, HLMK Series control covers implement an easy open-close stud fasteners.

HKK-B type control covers are opened and closed via a special locking mechanism on the frame. The casings of the covers are manufactured from aluminium and only 1st class aluminium profiles are used.

#### SURFACE COATING

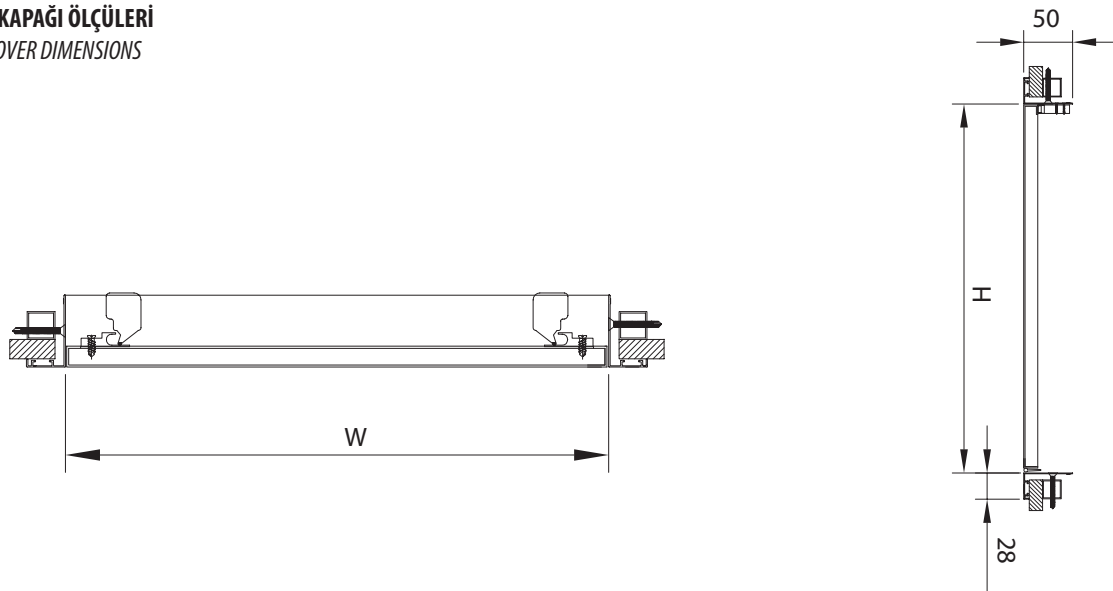
- Electrostatic powder coating (Standard colours are RAL 9010 and RAL 9016)
- As an option all the colours in other RAL codes can be provided.

#### ASSEMBLY

- Installation with screw



**KONTROL KAPAĞI ÖLÇÜLERİ**  
CONTROL COVER DIMENSIONS



Aeff (m <sup>2</sup> )		W (mm)																		
		100	150	200	250	300	350	400	450	500	550	600	650	700	750	800	850	900	950	1000
H (mm)	100	0.008	0.012	0.016	0.020	0.024	0.028	0.032	0.036	0.040	0.044	0.048	0.052	0.056	0.060	0.064	0.068	0.072	0.076	0.080
	150	0.013	0.020	0.026	0.033	0.039	0.046	0.052	0.059	0.065	0.072	0.078	0.085	0.091	0.098	0.104	0.111	0.117	0.124	0.130
	200	0.018	0.027	0.036	0.045	0.054	0.063	0.072	0.081	0.090	0.099	0.108	0.117	0.126	0.135	0.144	0.153	0.162	0.171	0.180
	250	0.023	0.035	0.046	0.058	0.069	0.081	0.092	0.104	0.115	0.127	0.138	0.150	0.161	0.173	0.184	0.196	0.207	0.219	0.230
	300	0.028	0.042	0.056	0.070	0.084	0.098	0.112	0.126	0.140	0.154	0.168	0.182	0.196	0.210	0.224	0.238	0.252	0.266	0.280
	350	0.033	0.050	0.066	0.083	0.099	0.116	0.132	0.149	0.165	0.182	0.198	0.215	0.231	0.248	0.264	0.281	0.297	0.314	0.330
	400	0.038	0.057	0.076	0.095	0.114	0.133	0.152	0.171	0.190	0.209	0.228	0.247	0.266	0.285	0.304	0.323	0.342	0.361	0.380
	450	0.043	0.065	0.086	0.108	0.129	0.151	0.172	0.194	0.215	0.237	0.258	0.280	0.301	0.323	0.344	0.366	0.387	0.409	0.430
	500	0.048	0.072	0.096	0.120	0.144	0.168	0.192	0.216	0.240	0.264	0.288	0.312	0.336	0.360	0.384	0.408	0.432	0.456	0.480
	550	0.053	0.080	0.106	0.133	0.159	0.186	0.212	0.239	0.265	0.292	0.318	0.345	0.371	0.398	0.424	0.451	0.477	0.504	0.530
	600	0.058	0.087	0.116	0.145	0.174	0.203	0.232	0.261	0.290	0.319	0.348	0.377	0.406	0.435	0.464	0.493	0.522	0.551	0.580
	650	0.063	0.095	0.126	0.158	0.189	0.221	0.252	0.284	0.315	0.347	0.378	0.410	0.441	0.473	0.504	0.536	0.567	0.599	0.630
	700	0.068	0.102	0.136	0.170	0.204	0.238	0.272	0.306	0.340	0.374	0.408	0.442	0.476	0.510	0.544	0.578	0.612	0.646	0.680
	750	0.073	0.110	0.146	0.183	0.219	0.256	0.292	0.329	0.365	0.402	0.438	0.475	0.511	0.548	0.584	0.621	0.657	0.694	0.730
	800	0.078	0.117	0.156	0.195	0.234	0.273	0.312	0.351	0.390	0.429	0.468	0.507	0.546	0.585	0.624	0.663	0.702	0.741	0.780
	850	0.083	0.125	0.166	0.208	0.249	0.291	0.332	0.374	0.415	0.457	0.498	0.540	0.581	0.623	0.664	0.706	0.747	0.789	0.830
	900	0.088	0.132	0.176	0.220	0.264	0.308	0.352	0.396	0.440	0.484	0.528	0.572	0.616	0.660	0.704	0.748	0.792	0.836	0.880
950	0.093	0.140	0.186	0.233	0.279	0.326	0.372	0.419	0.465	0.512	0.558	0.605	0.651	0.698	0.744	0.791	0.837	0.884	0.930	
1000	0.098	0.147	0.196	0.245	0.294	0.343	0.392	0.441	0.490	0.539	0.588	0.637	0.686	0.735	0.784	0.833	0.882	0.931	0.980	

Aeff (m <sup>2</sup> )		ØD (mm)																	
		100	125	150	160	200	250	300	315	355	400	450	500	550	630	710	800	900	1000
		0.006	0.010	0.015	0.017	0.027	0.044	0.065	0.072	0.092	0.118	0.150	0.186	0.227	0.299	0.382	0.487	0.618	0.765